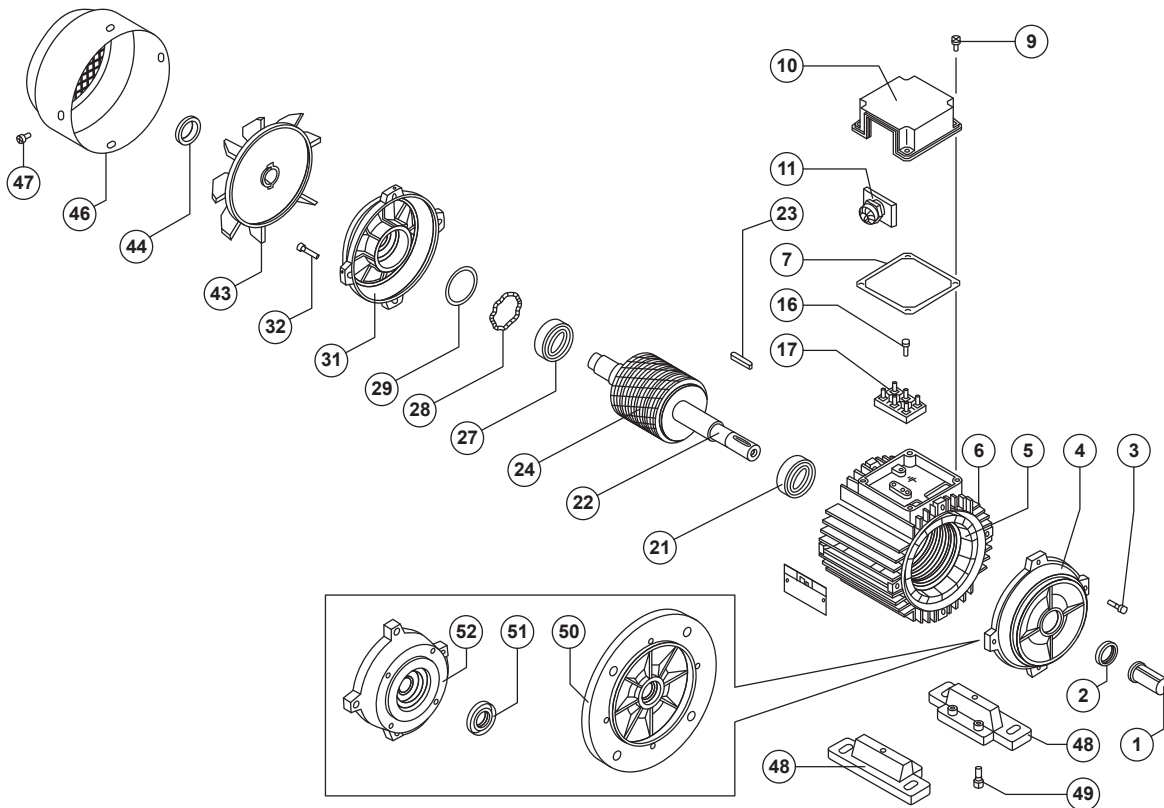


# Spare Parts



## Part description

1 Shaft protection	24 Rotor assembly
2 Drive end dust seal	27 Non-drive end bearing
3 Drive end endshield fixing screw	28 Non-drive end pre-load washer
4 Drive end endshield	29 Non-drive end shim ring
5 Stator	31 Non-drive end endshield
6 Stator Frame	32 Non-drive end endshield fixing screw
7 Terminal box gasket	43 Fan
9 Terminal box fixing screw	44 Fan hose clamp
10 Terminal box	46 Fan cowl
11 Cable gland	47 Fan cowl fixing screw
16 Terminal board fixing screw	48 Feet
17 Terminal board	49 Feet fixing bolt
21 Drive end bearing	50 Flange B5
22 Motor shaft	51 Seal ring
23 Hub key	52 Flange B14

## In enquires and orders for spare parts please state always:

Designation of spare part, motor type, mounting arrangement, motor serial number

(Product No. when available)

Enquire and orders cannot be handled without these data.